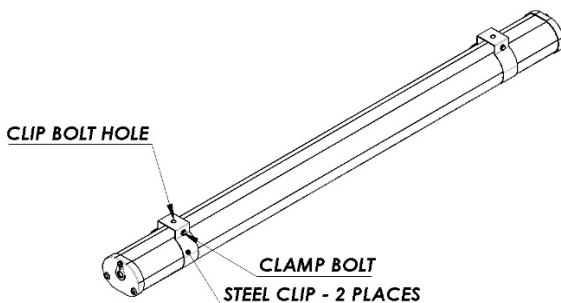
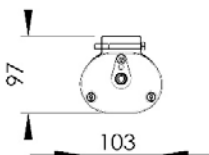
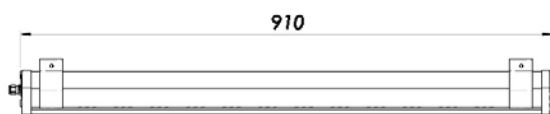


BATTEN LIGHT – MID POWER

MODEL: SCOTT – HJ – BAT – 60 – 900



DIMENSIONS:



MOUNTING/FITTING DETAILS:

- Supplied with 2 steel clips with clamping bolts & M8 Bolts for mounting
- UL approved Power Cord (3X0.75mm²) – min 1.5 meters length

FEATURES:

- Luminous Efficacy - 115 lm/W
- Heat Sink – Finless extruded aluminium that allows for passive cooling and natural self-cleaning eliminating issues with dirt, dust, ice, snow or moisture resulting in longer fixture life.
- Built using high quality components (5 year warranty CE certified LED drivers & LM 80 certified LED's)
- Built in protective vents prevents condensation

TECHNICAL SPECIFICATIONS:

| | |
|------------------|--|
| Model No | SCOTT – HJ – BAT – 60 – 900 |
| Input Voltage | 240V AC, 50/60 Hz |
| Power (Watt) | 60 |
| Luminous Flux | 6840 LUMENS |
| CRI | > 70 |
| Colour Temp (K) | 5700CW (3000WW, 4000NW, 5000/6500 CW optional) |
| Power Factor | >0.91 |
| THD | ≤ 15.0% |
| Beam Angle | 120° |
| IP rating | 65 |
| Dimmable | N/A |
| Life Span | >80, 000 hours |
| Materials | Extruded Aluminium |
| Finishing Colour | Black or White powder coated |
| Weight (kgs) | 2.5 |
| Control Gear | CE certified OEM Driver |
| LED Chip | LUMILEDS 3030 2D |
| Warranty | 5 years |
| Operating Temp | -30°C to +40°C |

APPLICATIONS

- Walkways/Corridor/Pathways/Plant growth/Alleys/Workshop/Work bench/Railway platforms
- Dirty/Dusty and harsh environments