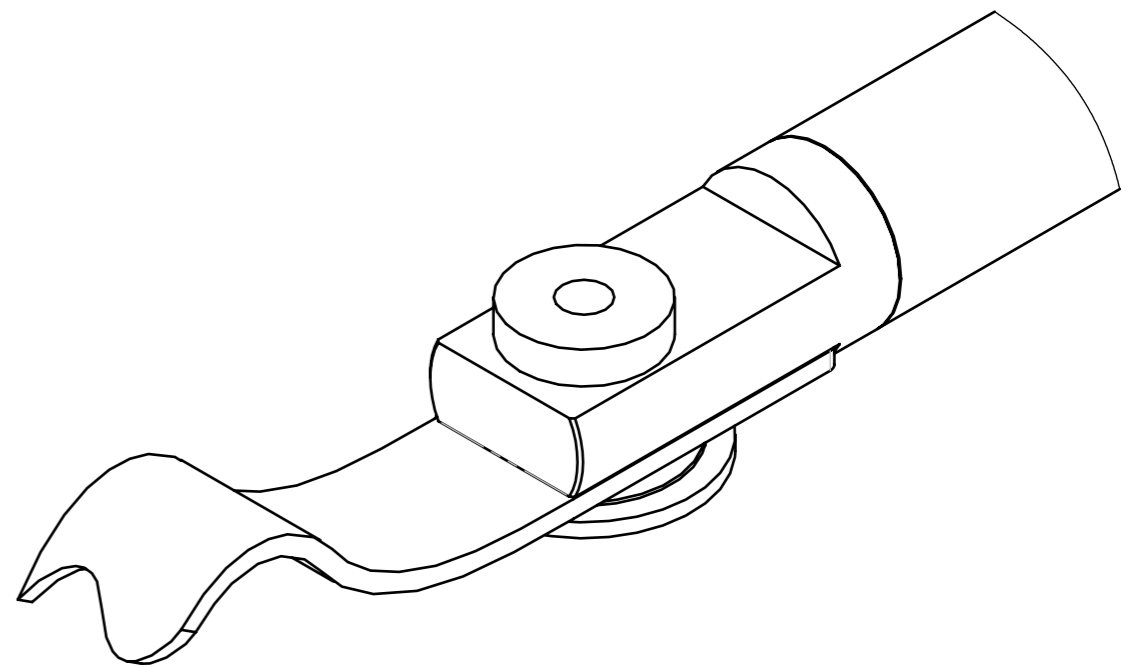
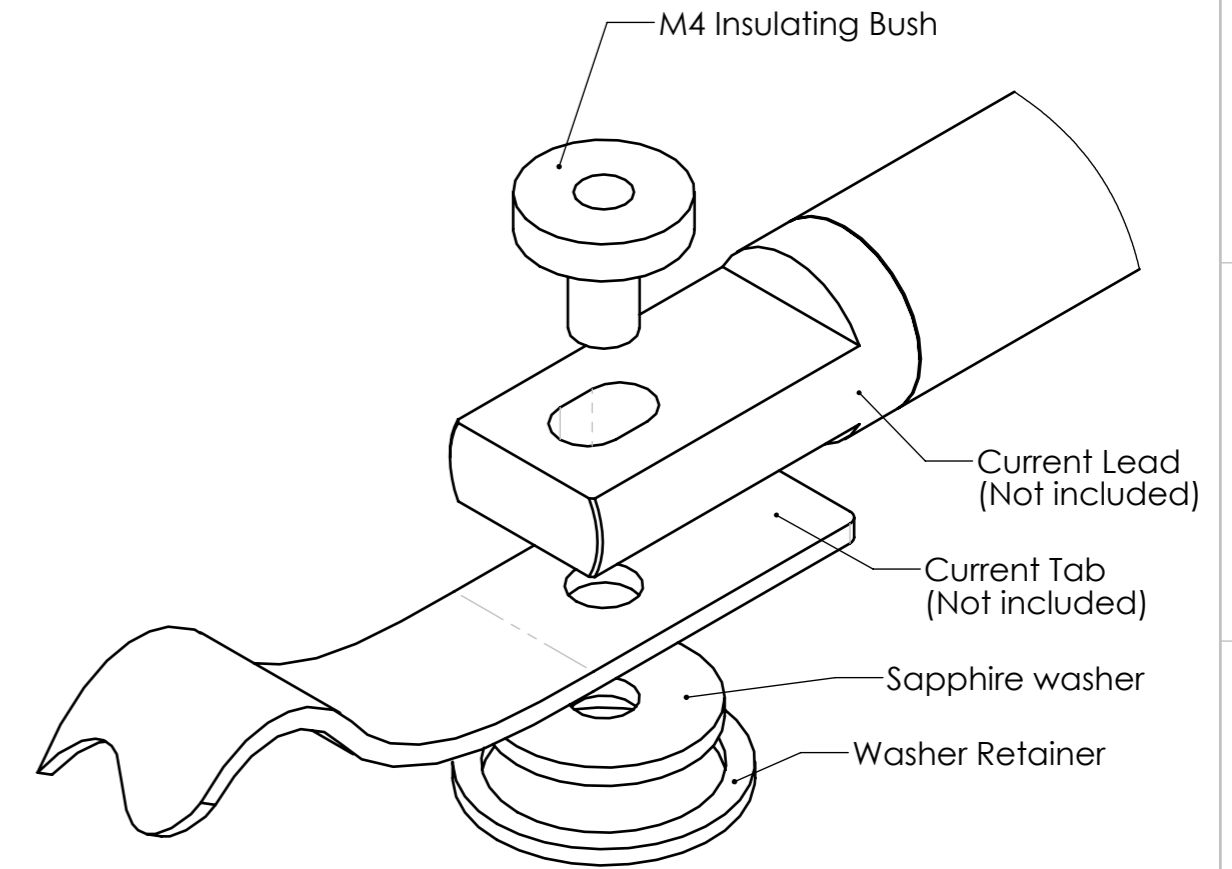
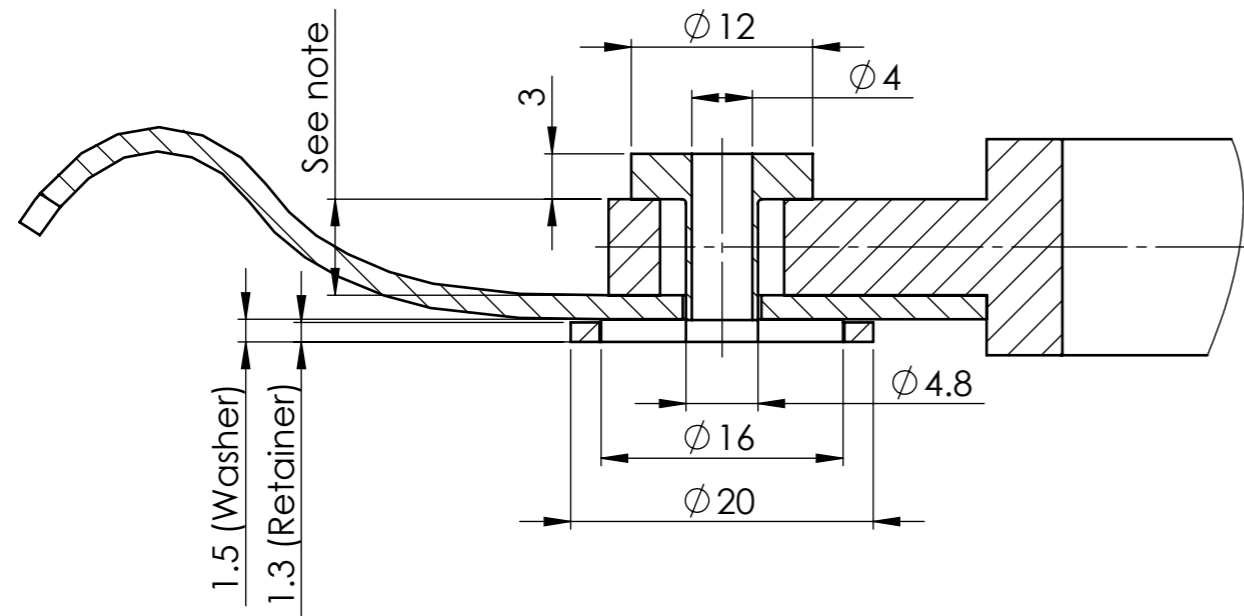


**Configuration for 150A, 250A and 500A Standard Current Leads.**  
**- Use 1 kit for 1 pair of leads -**



Each Sapphire Kit (PN# SK-0150A to SK-0500A) contains:

- 4 x Sapphire washer
- 4 x Washer Retainer
- 4 x M4 Insulating Bush
- 1 x Sapphire Kit Outline Drawing

Note:  
 150A - 500A end thickness varies from 3.3 - 6.35mm. See individual current lead outline drawings for specific thickness.

ALL DIMENSIONS ARE IN MILLIMETRES

DO NOT SCALE DRAWING

*CONFIDENTIAL / copyright HTS-110*



PRODUCT NO.

**SK-0150A-0500A**

DWG NO.

**Sapphire Kit**

**L99000101**

**A3**

www.hts-110.com